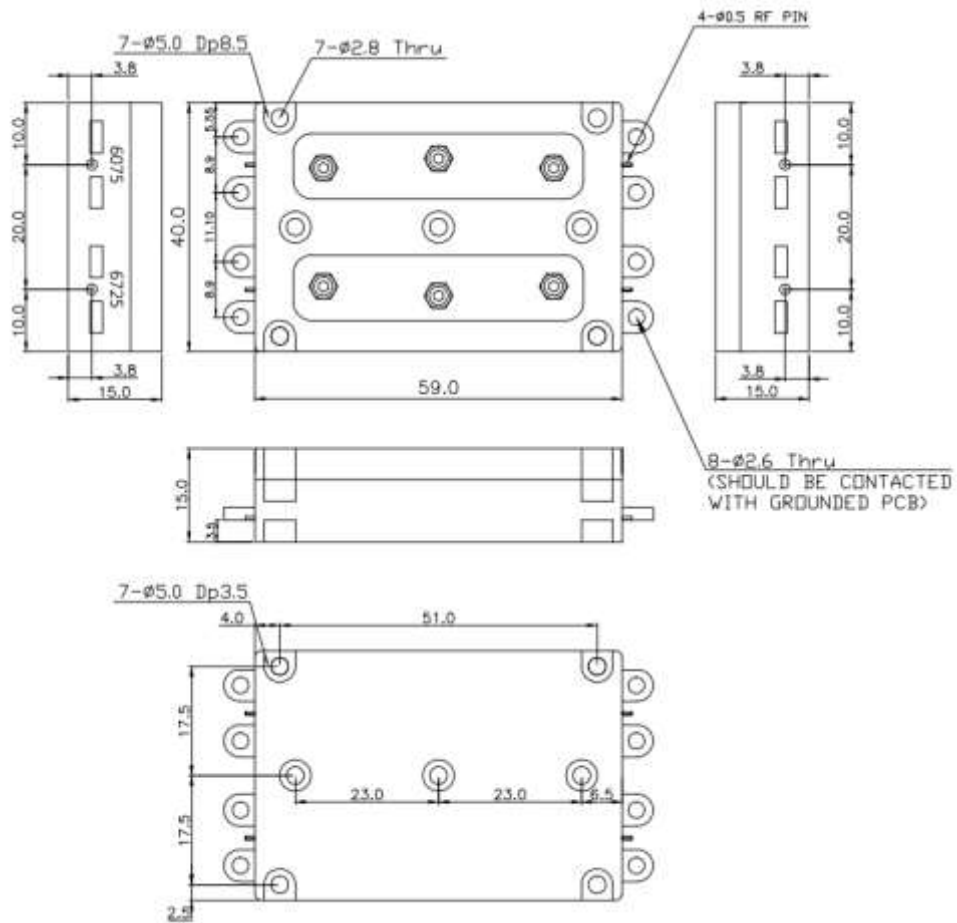


Outline Drawing

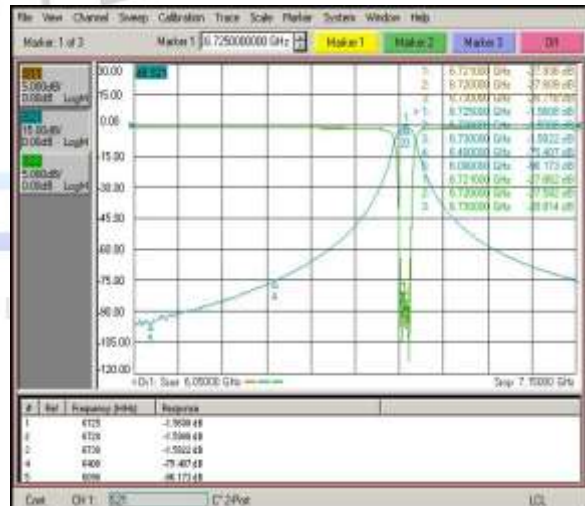


Units : mm, Tolerance : +/- 0.2 mm

Typical Response



$F_c = 6,075\text{MHz}$



$F_c = 6,725\text{MHz}$